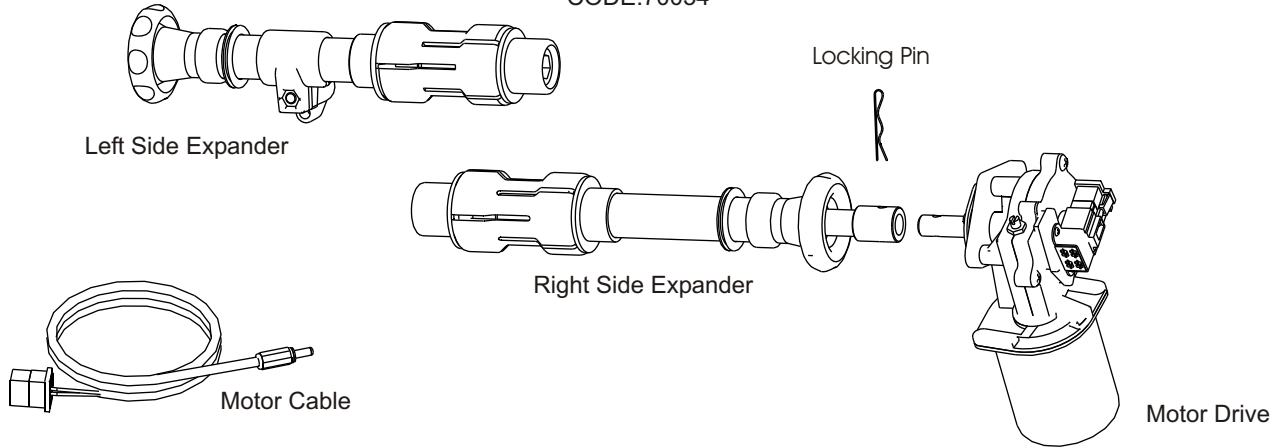
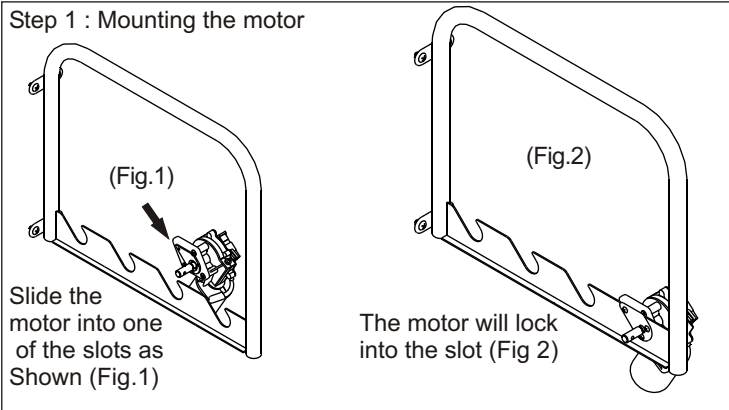


MOTOR & EXPANDER SET

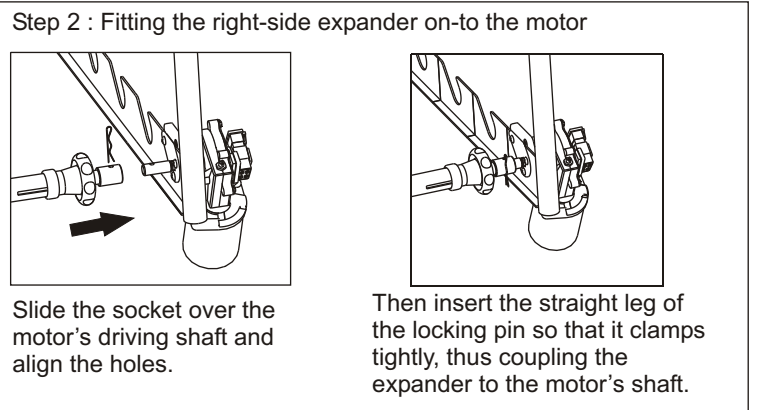
CODE:70054



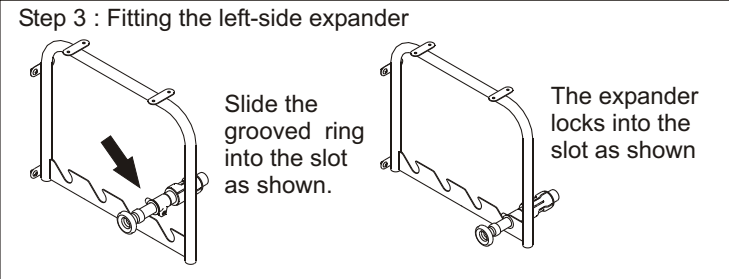
Step 1 : Mounting the motor



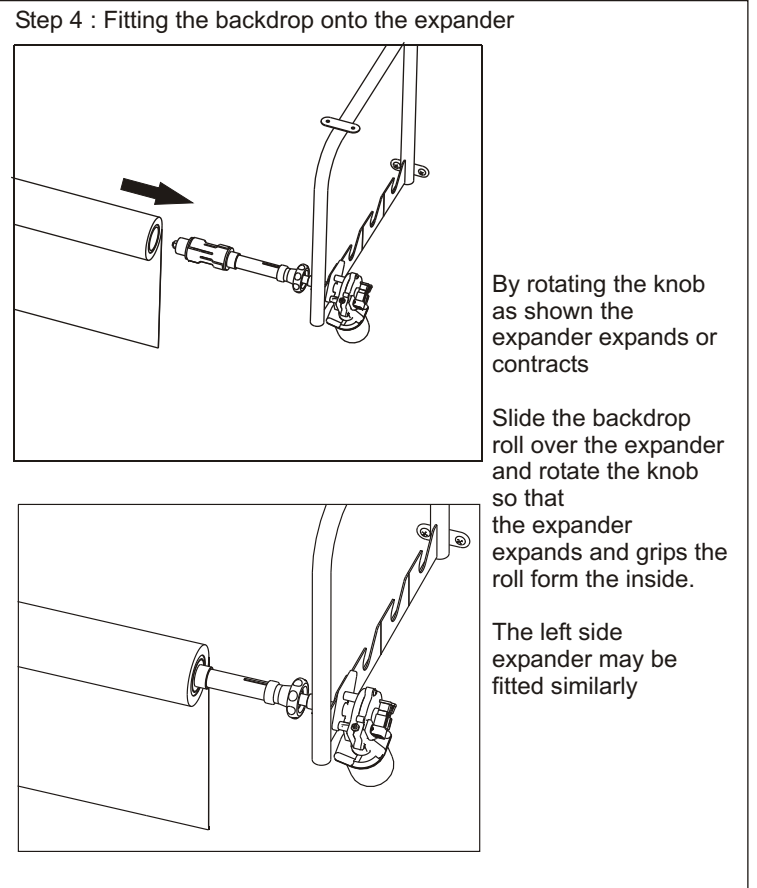
Step 2 : Fitting the right-side expander on-to the motor



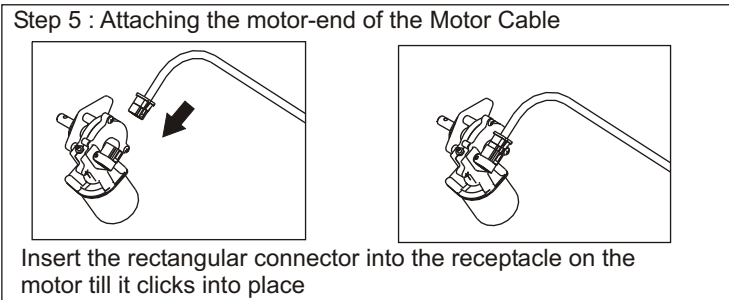
Step 3 : Fitting the left-side expander



Step 4 : Fitting the backdrop onto the expander



Step 5 : Attaching the motor-end of the Motor Cable



Step 6 : Attaching the panel-end of the Motor Cable

