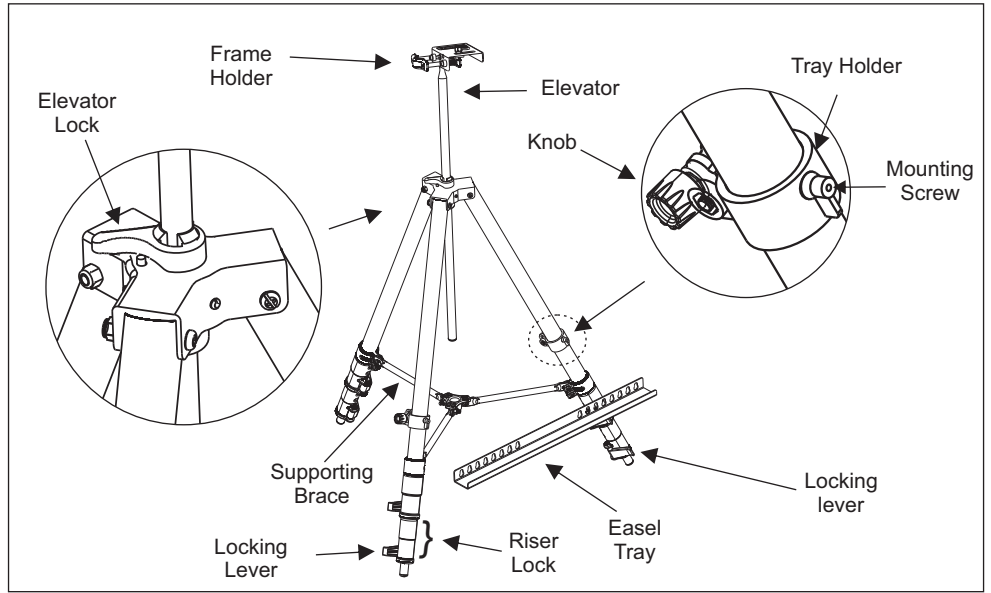
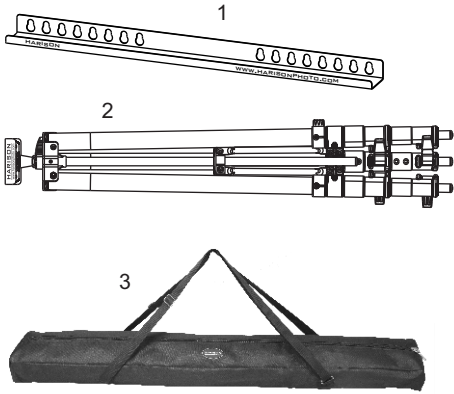
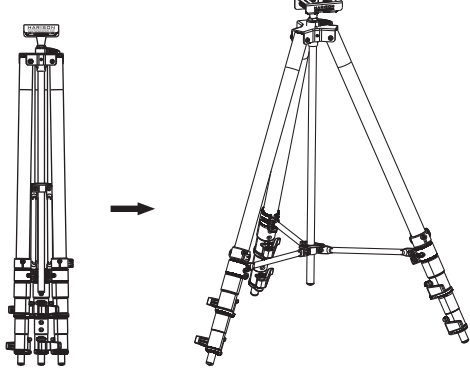


### Package Contents:

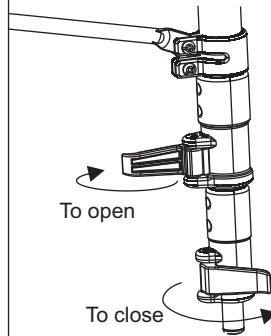
1. Easel Tray
2. Tripod Easel
3. Bag



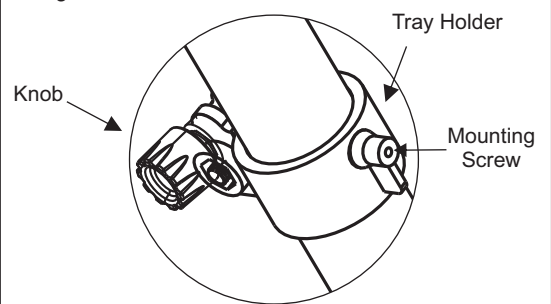
### 1. Spread Tripod Legs.



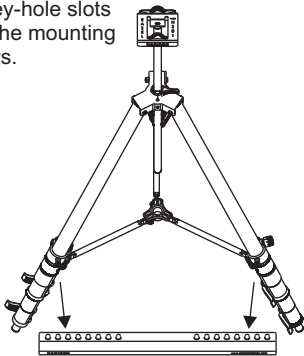
### 2. Loosen the riser lock by opening the locking lever to get the require height then close the locking lever.



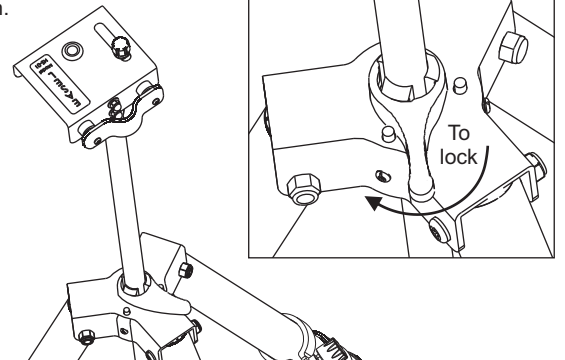
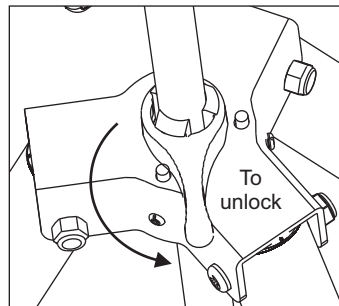
### 3. Position the tray holders so that the screws face in the front. Tighten the knobs.



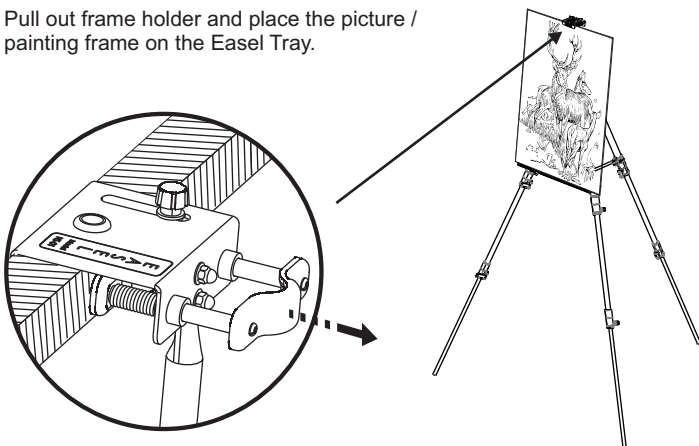
### 4. Place the Easel Tray on the holders by fitting the key-hole slots over the mounting screws.



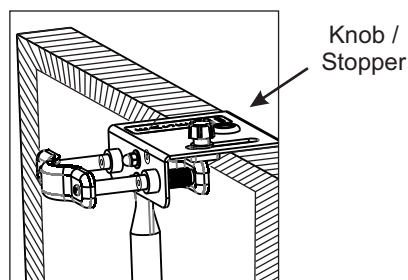
### 5. Unlock the elevator lock and raise the elevator Then move the elevator lock to the locking position.



### 6. Pull out frame holder and place the picture / painting frame on the Easel Tray.

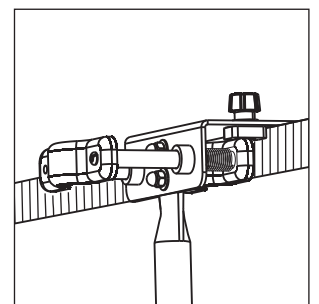


### TO USE WITH A WRITING BOARD



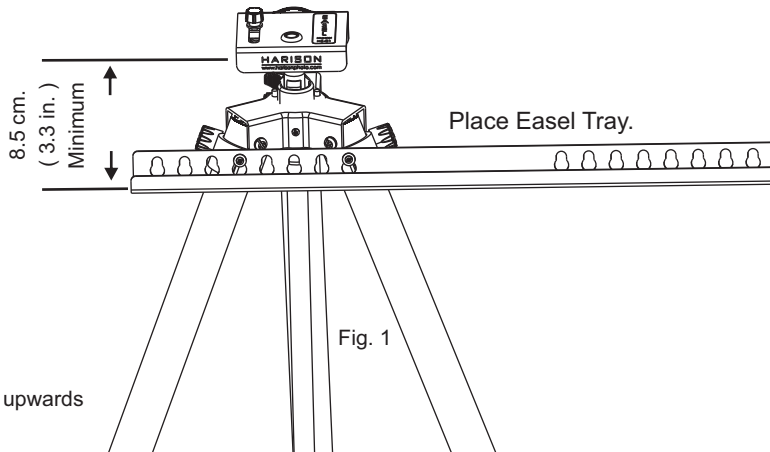
Fit the writing board and adjust the locking tab so that it supports the writing board frame from the back.

The HARISON Easel HS01 is provided with a locking tab that prevents a white board from moving backwards while writing on it.



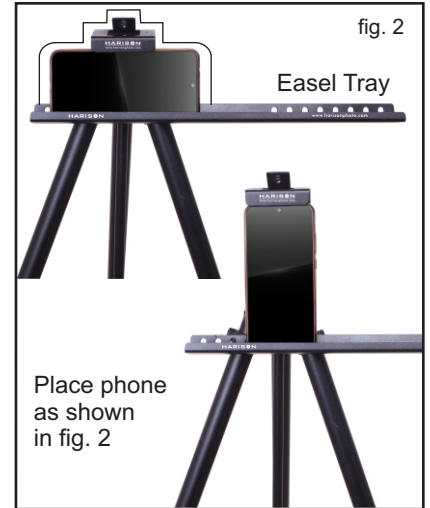
### TO USE WITH A PHONE

Maximum height : 87 cm. ( 34.25 in. )  
Minimum height : 8.5 cm. ( 3.3 in. )



Raise both tray holders upwards as shown in fig. 1

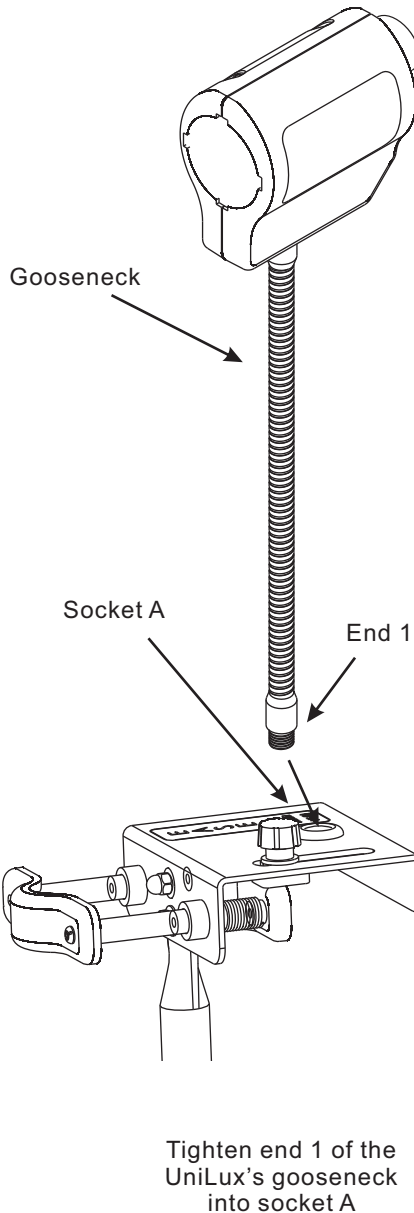
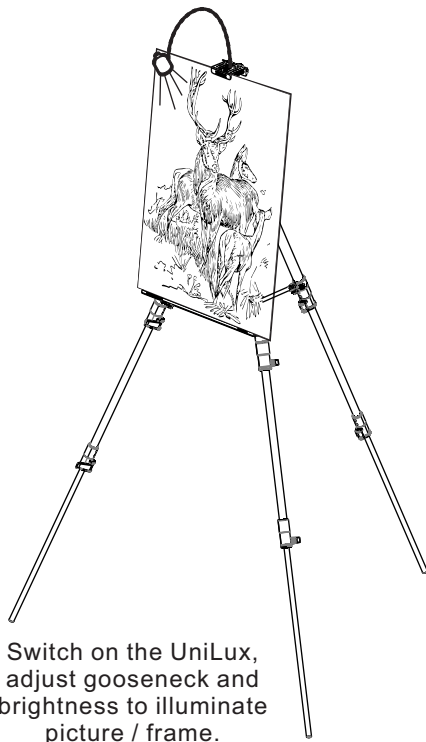
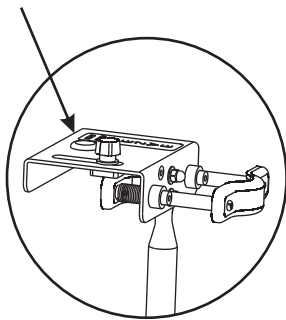
fig. 2



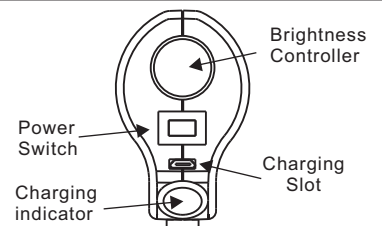
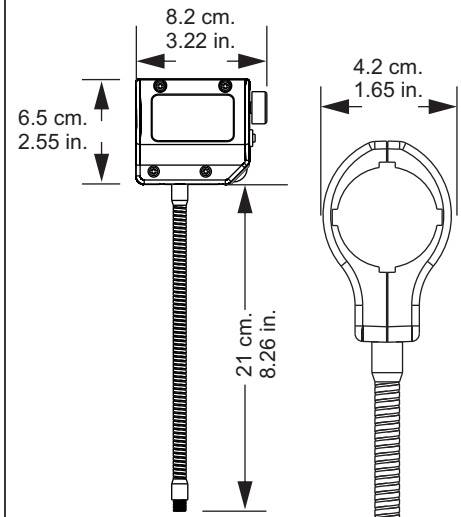
### OPTIONAL ACCESSORY

#### TO USE WITH THE HARISON UNILUX LIGHT

Elevator head at the top of Painting Easel carries the provision to accept small video light to illuminate the frame / painting.



#### HARISON UNILUX



#### SPECIFICATIONS

Power Consumption	2.5 Watts
Operating Voltage:	5 Volt DC
Weight:	0.14 kg.
Dimension (cm):	4.2 x 27.5 x 8.2
Light Source	TrueColor LED
LED Count:	20
Light Beam Angle:	120°
Power Variation:	Stepless 10-100%
Color Rendering	>93
Color Temp.	5000k - 5600k
Power Port	Micro B USB
In-built battery backup ( at full brightness )	45 min.
Power Option	In-built battery / Phone charger with micro B USB Jack