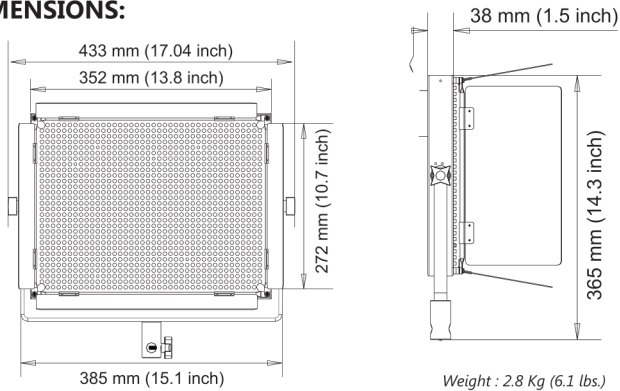


DIMENSIONS:



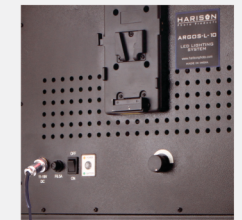
POWER OPTIONS:

1 Power Pak 14-Li

- The ARGOS lights can also run with the HARISON Power-Pak 14-Li.

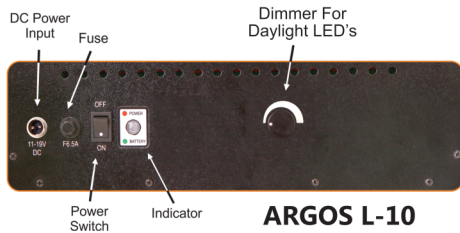


2 AC-DC Adapter

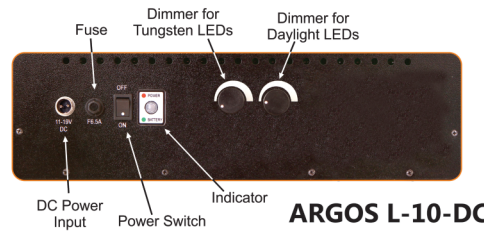


AC INPUT
~200V - 230V

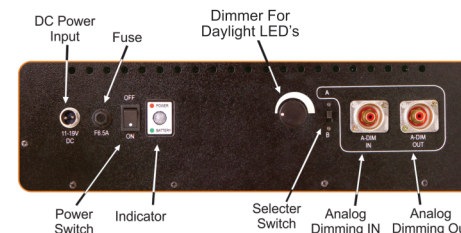
- The ARGOS lights can also connect with the power adapter.



ARGOS L-10



ARGOS L-10-DC



ARGOS L-10-DM

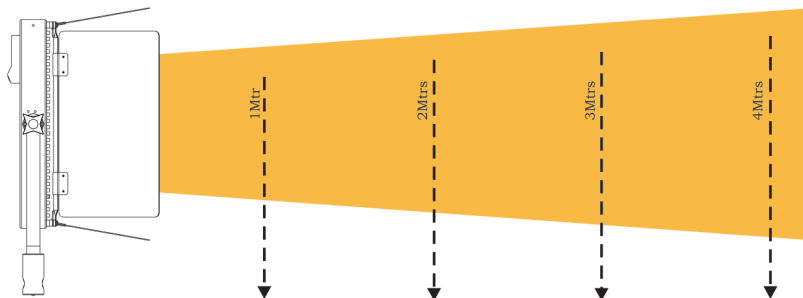
Suffix 'DM' denotes that the light unit has an external port for 0-10V analog dimming.

3 12V Battery



- Run your ARGOS light on a regular 12 V lead-acid battery (min current capacity 7AH)

PHOTOMETRIC READINGS



Light Model	LED Type	Distance			
		1 Mtr. (3.28 ft)	2 Mtrs. (6.56 ft)	3 Mtrs. (9.84 ft)	4 Mtrs. (13.12 ft)
Argos L-10	Daylight LED	6250	1570	680	390
	Tungsten LED	3270	870	400	220
Argos L-10 DC	Daylight LED	6250	1570	680	390
	Tungsten LED	3270	870	400	220
	Daylight + Tungsten LED	5800	1500	680	370

FEATURES

- High CRI (> 90) LEDs.
- Colour-corrected Light Output.
- Power Supply option :
 - AC - DC Adapter
 - V-Mount battery (14.8 Volt)
 - 11 to 19 Volt DC Source
 - compatible with the HARISON Power-Pak 14-Li.
- All-metal body.
- Stepless dimming (Models with remote dimming also available).
- 1 Year Warranty.

	No. of LED's	
	DAYLIGHT	TUNGSTEN
Argos L-10	972	972
Argos L-10 DC	486	486

SPECIFICATIONS

Power Consumption	62 Watts
Operating Voltage:	11 to 19 Volt DC
Nominal Weight:	2.8 Kg
Nominal Dimension (cm):	43.3 x 36.5 x 3.8
Bulb:	TrueColor LED
LED Count:	972
Light Beam Angle:	60°
Illuminance: (at 1 meter)	6250 lx
Power Variation:	Stepless 0-100%
Color Rendering Index (Ra):	>90

4 V-Mount Battery

- Slide in the V-Mount battery :

