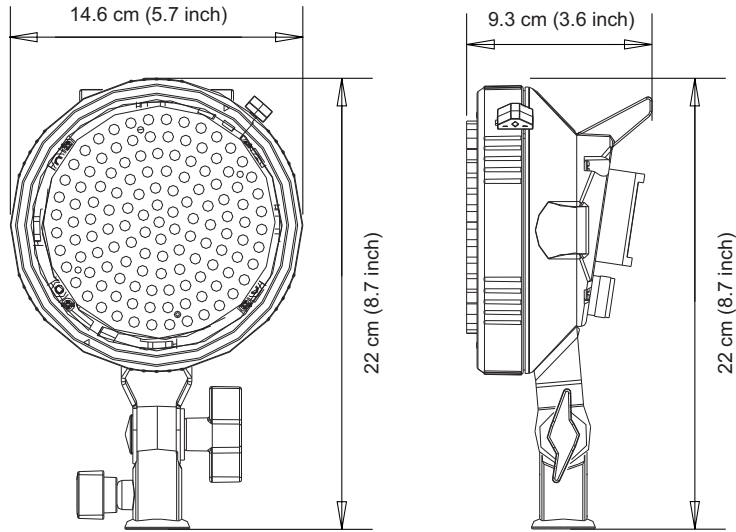


### DIMENSIONS

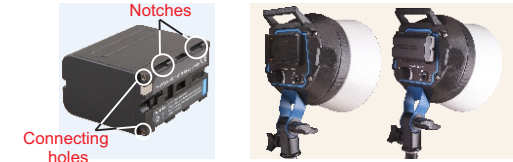


Weight : 585 Grams (1.2 lbs.)

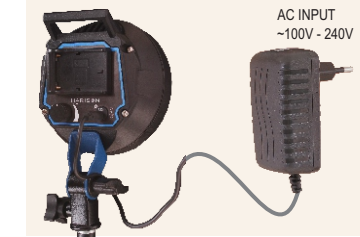


### POWER OPTIONS:

#### ① NP-F Battery

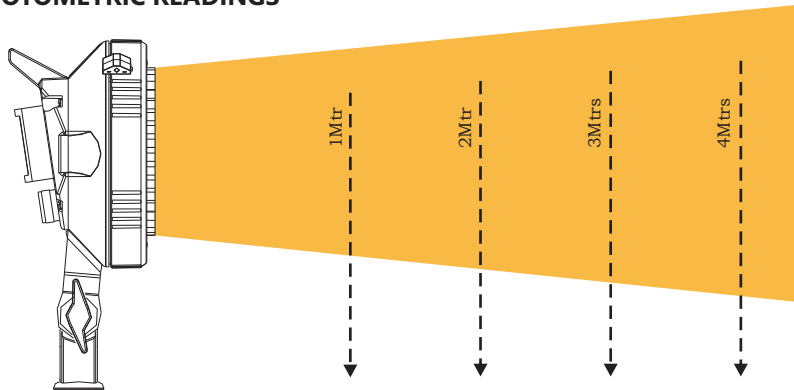


- Slide in the NP-F battery :  
Note: ensure that the locking tags align with the notches on the underside of the battery. Push down-wards so that the terminal pins (of the mounting plate) connect with the battery's connecting holes.



- The ARGOS lights can also connect with the power adapter.

### PHOTOMETRIC READINGS



Distance		1Mtr (3.28ft)		2Mtrs (6.56ft)		3Mtrs (9.84ft)		4Mtrs (13.12ft)	
Light Model	Accessories Used:	Lux	FC	Lux	FC	Lux	FC	Lux	FC
Argos-Sparkle Mark III	Reflector 16 cm	1500	138	390	36	170	16	100	9
Argos-Sparkle Mark III Y	Reflector 16 cm	1100	101	300	27.7	120	11	70	6

Note: FC= Foot Candle ; 1FC = 10.8 lux

### FEATURES

Available in white and yellow LEDs:  
White LEDs (CT=5300 K): ARGOS Sparkle Mark III  
Yellow LEDs (CT=3200 K): ARGOS Sparkle Mark III Y

- 172 pcs TrueColour LEDs.
- High CRI (> 90) LEDs.
- Power supply :- Built-in NP-F battery plate & DCΦ2.5 mm jack. [Cord Length : 3 mts (9.75 feet)]
- Colour-corrected light output.
- Compact and rugged housing.
- Can accept "Elinchrom - compatible" light modifiers.
- Standart spigot socket for mounting on light-stands.

### SPECIFICATIONS

Power Consumption	15 Watts
Operating Voltage:	7.2 V to 12 V DC
Nominal Weight:	585 grams
Nominal Dimension (cm):	14.6 x 22 x 9.3
Bulb:	TrueColor LED
LED Count:	172
Light Beam Angle:	60°
Illuminance: (at 1 meter)	Sparkle Mark III   Sparkle Mark III Y 1500 lx   1100 lx
Power Variation:	Stepless 0-100%
Color Rendering Index (Ra):	>90