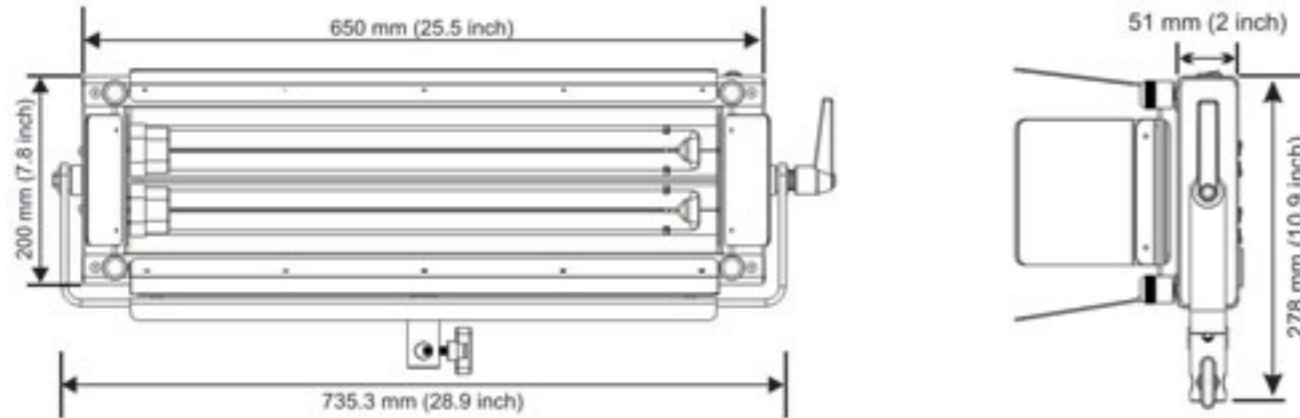


Dimensions

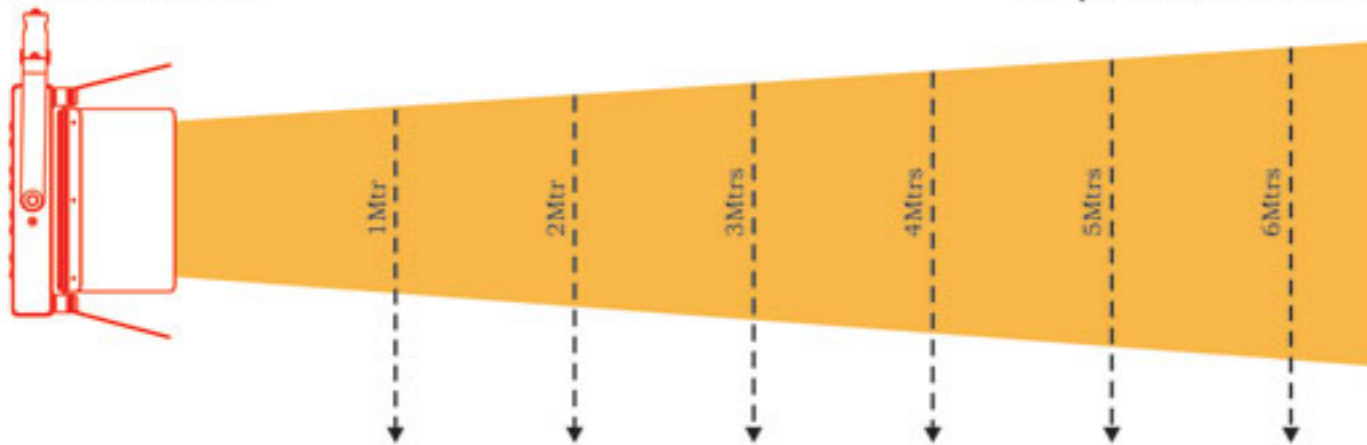


Weight of DigiLux 255 (with Lamp & reflective barndoors) : 4.5 Kg (9.9 lbs.)
Weight of DigiLux 255 - DM (with Lamp & reflective barndoors) : 4.6 Kg (10.1 lbs.)



Photometric Readings

Lamp used-55w/5500K PL-L



Distance		1Mtr (3.28ft)		2Mtrs (6.56ft)		3Mtrs (9.84ft)		4Mtrs (13.12ft)		5Mtrs(16.40ft)		6Mtrs (19.58ft)	
Light Model	Accessories Used	Lux	FC	Lux	FC	Lux	FC	Lux	FC	Lux	FC	Lux	FC
DigiLux 255 -DM & DigiLux 255	Without Accessories	2257	209	580	53	270	25	160	14	100	9	80	7
	With Reflective Barndoors	3470	321	840	78	370	34	210	19	130	12	100	9

Note 1FC = 10.8 lux

SPECIFICATION

- General** : Can accommodate two linear fluorescent lamp to provide soft, even, flicker free, color corrected light for video & still photography applications
- Housing** : Made of 1.5 mm thick aluminum sheet metal with textured black powder-coated finish.
- Reflector** : Made of specialized anodized sheet with polished specular finish
- Ballast** : Electronic high frequency (full load 40khz) dimmable ballast, Input 230V 50/60Hz, F>0.97, Class A sound rating
- Lamp Type** : 55W CFL 2G11 base 4-pin, Color temperature 3200K/5400K/5600K
- Lamp Socket** : 2G11 Base 4-Pin molded white high-strength thermoplastic with push-wire connectors
- Mounting** : Yoke made of extruded aluminum with 28mm dia. spud (17 mm internal dia.)
- Power Supply** : Power supply connection 230V/50Hz
On/Off Switch
10A IEC Input plug with fuse holder
4 mt long flexible cable
- Dimming** : Local control : 0-100% using potentiometer
Analog control 0-10V DC signal through BNC
- Safety and Reliability** : All metal parts are protected against corrosion.