

Package Contents:

<p>LEFT-SIDE A-SUPPORT</p> <p>RIGHT-SIDE A-SUPPORT</p>	<p>TOP SUPPORT TUBE</p>	<p>FRONT SUPPORT TUBE</p>	<p>SUPPORTING STRIP 2 pc.</p>	
	<p>REAR-LOWER SUPPORT TUBE</p> <p>HOLES</p>	<p>EXTENSION PIPES 2 pc.</p>	<p>ROUND KNOBS 6 pc.</p>	<p>WING KNOBS 12 pc.</p>
	<p>FRONT-LOWER SUPPORT TUBE</p>		<p>PHOTO TABLE SHEET</p>	<p>CARRY BAGS</p>

NOTE : Step 1,2,3 and 4 are to be done with the photo-table parts lying flat on the ground.

Step 1:

Lay out the left side A-Support and the right-side A-Support as shown in pic

Step 2:

Using the round knobs provided attach the rear-lower support tube from both ends.

Step 3:

Using the round knobs provided attach the front-lower support tube from both ends.

Step 4:

Using the round knobs provided attach the front support tube

Note: The locking brackets should be facing upward

Step 5:

Open the photo table chassis - it should look like this.

Left Side A-Support

Right Side A-Support

Front Support Tube

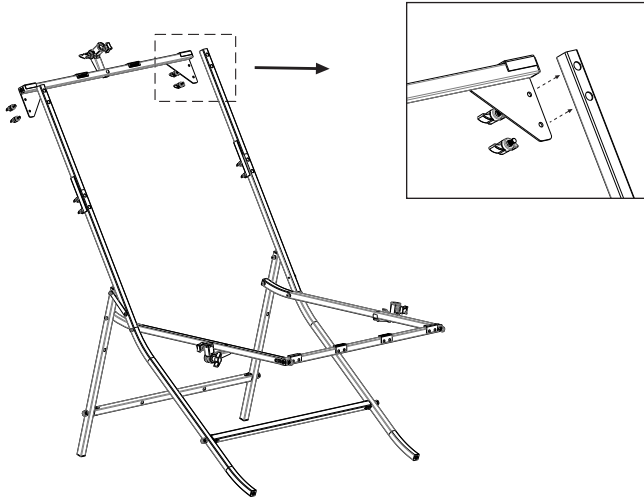
Rear Lower Support Tube

Front Lower Support Tube

Step 6:

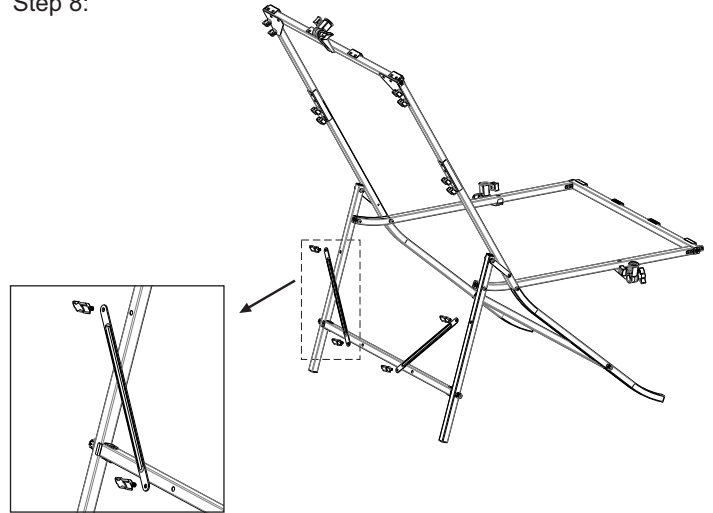
By using wing knobs attach the Extensions Pipes on the top of the Left-side A-Support and the Right-side A-Support.

Step 7:



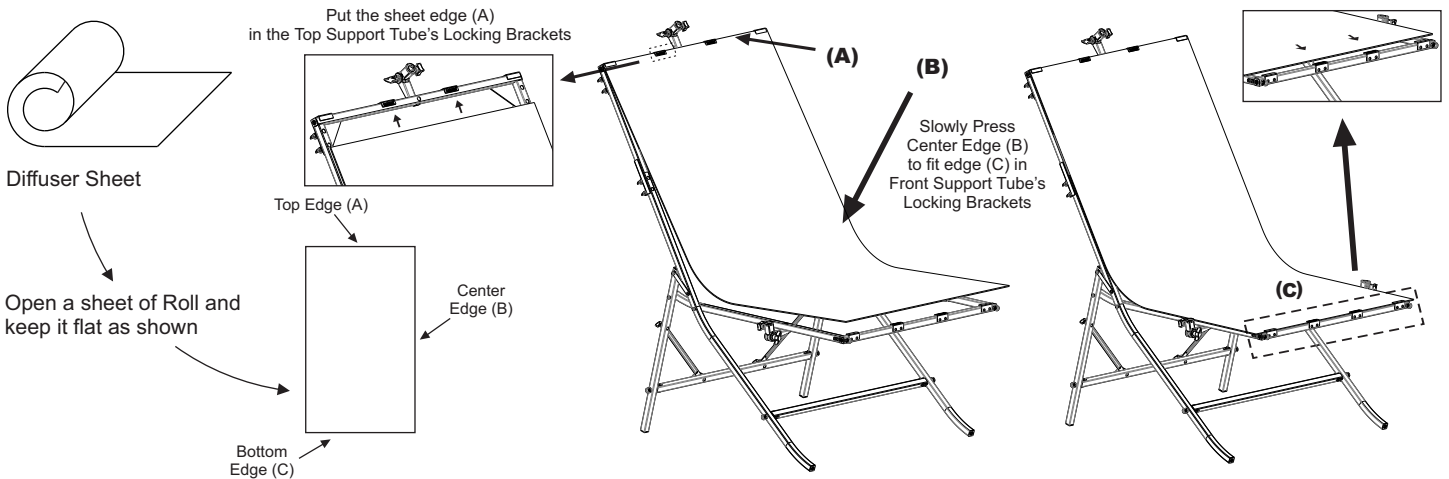
Using the wing knobs provided attach the top support tube.

Step 8:

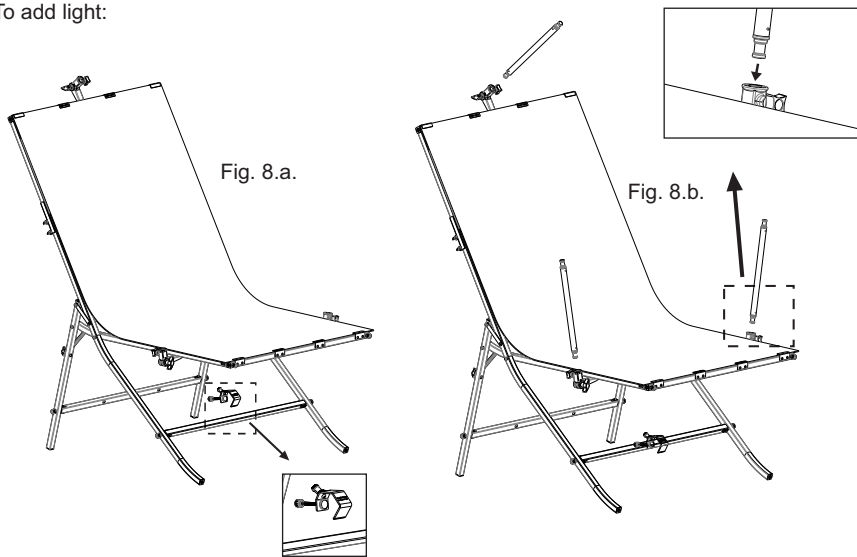


By using the wing knobs attach the supporting strip with rear lower tube to left and right A-Support.

Step 9: Slide the edges of the plastic sheet as shown. First slide the top edge (A) under the locking brackets. Then press down at the center of the sheet (B) to enable the lower edge (C) to slide into the locking brackets easily. (The matte surface should stay on the top)



To add light:



a.) Can use HARISON C-Clamp SP to fit a light at the bottom to get rid of shadows. (fig. 8.b.).

b.) Can fit the HARISON extension arm to attach lights (fig. 8.a.)



You may attach Harison Argos LED Lights for a well-illuminated Product Photography setup.