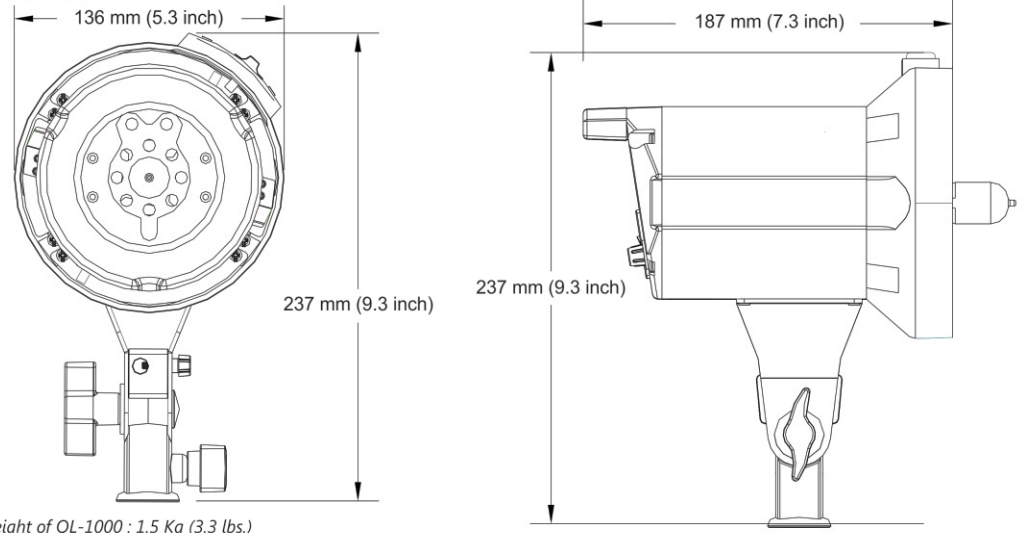


DIMENSIONS

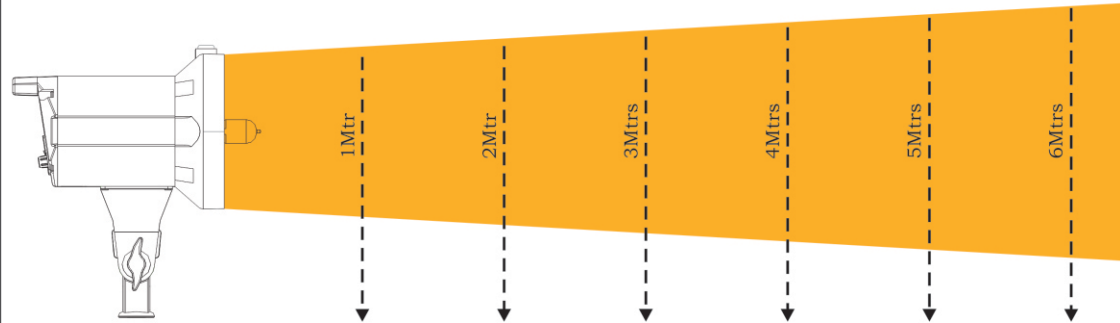


Weight of QL-1000 : 1.5 Kg (3.3 lbs.)



Photometric Readings

Lamp used-OSRAM 240V, 1000W, GX 6.35 base



Distance	1Mtr (3.28ft)	2Mtrs (6.56ft)	3Mtrs (9.84ft)	4Mtrs (13.12ft)	5Mtrs(16.40ft)	6Mtrs (19.58ft)								
Light Model	Accessories Used		Lux	FC	Lux	FC	Lux	FC	Lux	FC	Lux	FC	Lux	FC
QL-1000	Without Accessories		6400	592	1600	148	730	68	380	35	240	22	170	16

Note 1FC = 10.8 lux

FEATURES

- All-metal body for durability.
- Accepts 1000 W halogen lamp (GX-6.5 type).
- Elinchrom-compatible mount accepts a wide range of light modifiers.
- Dimmable 0-100%



SPECIFICATIONS

Operating Voltage:	220/240 AC
Nominal Weight:	1.5 Kg
Nominal Dimension (cm):	18.7 x 23.7 x 13.6
Bulb:	Halogen Lamp 1000 W (GX 6.35 Base)
Light Beam Angle:	60°
Illuminance: (at 1 meter)	6400 lx
Power Variation:	Stepless 0-100%