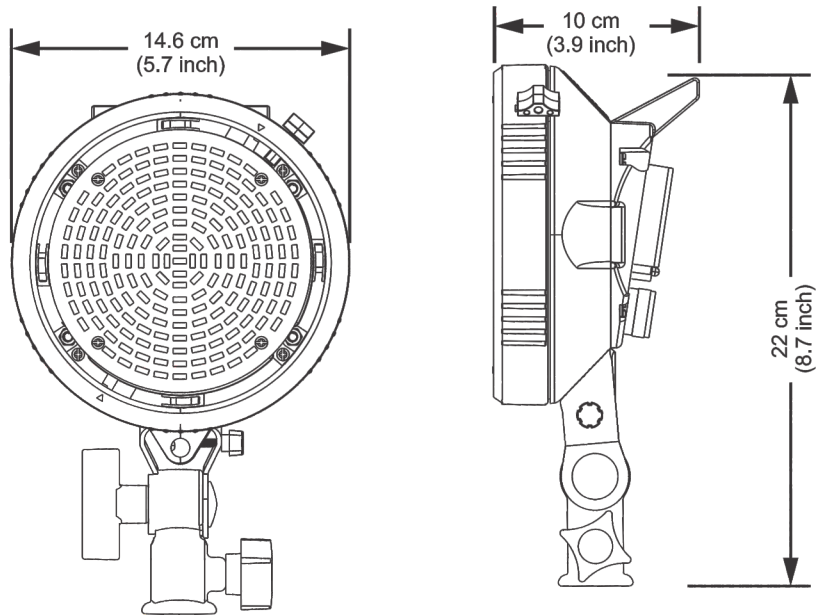


DIMENSIONS



POWER OPTIONS:

① AC-DC Adapter

The ARGOS lights can also connect with the power adapter.



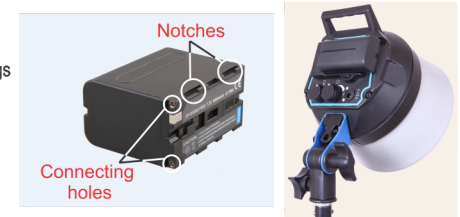
③ AC- 12V Battery

- Run your Sparkle DC light on a regular 12 V lead-acid battery (min current capacity 7AH)

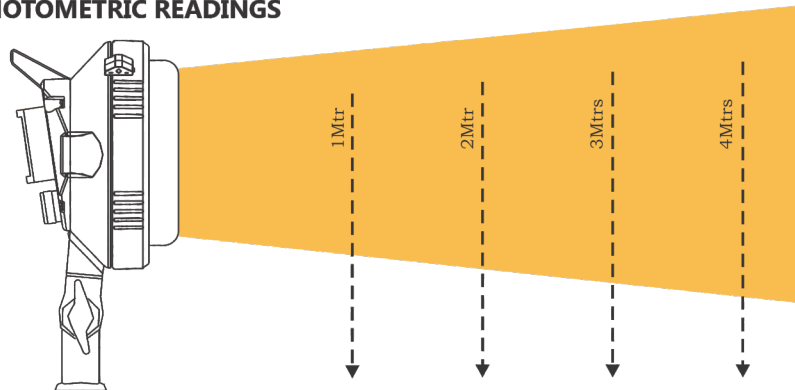


② NP-F Battery

Slide in the NP-F battery :
Note: ensure that the locking tags align with the notches on the underside of the battery. Push down-wards so that the terminal pins (of the mounting plate) connect with the battery's connecting holes.



PHOTOMETRIC READINGS



Distance		1Mtr (3.28ft)	2Mtrs (6.56ft)	3Mtrs (9.84ft)	4Mtrs (13.12ft)
Light Model	Accessory used	Lux	Lux	Lux	Lux
ARGOS SPARKLE DC (with diffuser)	Daylight	278	80	40	20
	Tungsten	225	62	30	16
	Daylight + Tungsten	580	165	75	40

without diffuser lux are 38% more.

FEATURES

- 184 pcs. TrueColour LEDs (White 92 + Yellow 92)
- High CRI (> 93) LEDs.
- Power supply :- Built-in NP-F battery plate & DCØ2.5 mm jack. [Cord Length : 3 mtrs (9.75 feet)]
- Colour-corrected light output.
- Compact and rugged housing.
- Can accept E-Type light modifiers.
- Standart spigot socket for mounting on light-stands.

Also available in white and yellow LEDs:

White LEDs (CT=5300 K): ARGOS Sparkle Mark III

Yellow LEDs (CT=3200 K): ARGOS Sparkle Mark III Y

SPECIFICATIONS

Power Consumption	20 Watts
Operating Voltage:	7.2 V to 12 V DC
Color Rendering Index (Ra):	>93
Nominal Dimension (cm):	14.6 x 22 x 10
Light Source	TrueColor LED (SMD)
LED Count:	184
Light Beam Angle:	120°
Illuminance: (at 1 meter)	580 lx
Power Variation:	Stepless 0-100%
Nominal Weight:	591 grams