

### Wall Mounting Back-Ground System

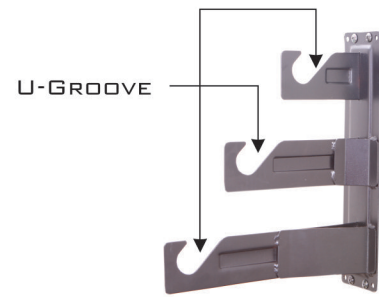
Accepts upto 3 Paper Rolls or upto 3 Cloth backgrounds.



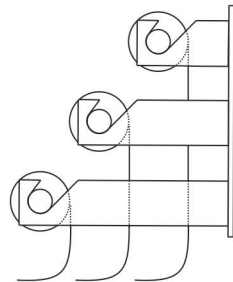
### WALL BRACKETS

Set of two background paper holders which can be fitted to a wall (with supplied studs and screws), or, to a super clamp (by means of screws and support available separately).

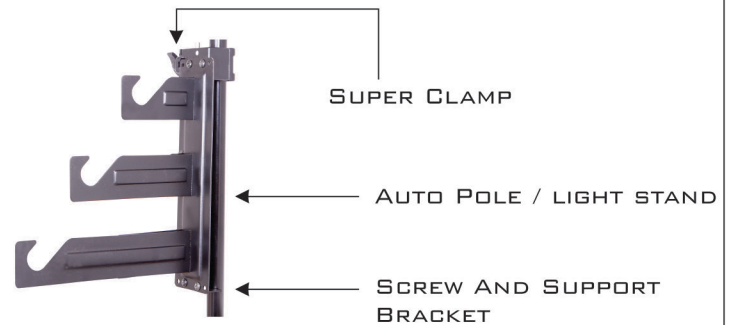
Note : The above brackets are marked LEFT and RIGHT respectively.



WALL FITTING

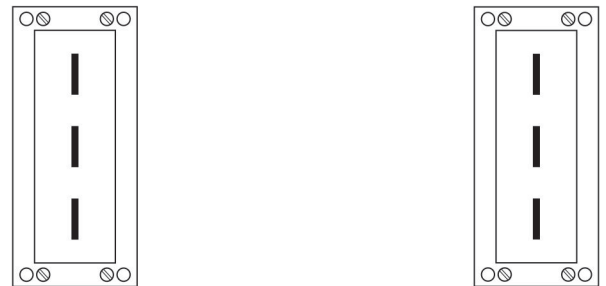


DIRECTION OF ROLLING FOR PAPER/CLOTH ROLL.



### SPACE BETWEEN CLAMPS

Minimum space required for fitting background system should be 10ft.



283 cm to 284 cm  
(111½ in.-112 in.)

### EXPANDER SET

Background paper drive set for one roll including plastic chain and weight, expands from 48 mm (1 7/8 in.) to 65 mm (2 1/2 in.).



### INSTRUCTIONS

1. Insert expander unit into one end of paper roll and turn knob clockwise to get a firm grip. Repeat for the other end of the roll .
2. Mount on wall bracket and place plastic ring in the U-Groove of the bracket.
3. Adjust paper roll equally between wall brackets and lock.
4. Attach chain and weight.

### NOTE

To dismantle chain twist links to 90 degrees and push.

